



LAVASTOVIGLIE SOTTOTAVOLO UNDERCOUNTER DISHWASHER

NUC/EUC/KUC/VUC/NUCA/ZUCA/FUCA/EUCA/VUCA

| Code | Type | Ref. | Pagina/ Page | Code | Type | Ref. | Pagina/ Page |
|--------|-------------|------|--------------|--------|------------|------|--------------|
| 400035 | EUC1/2 | c2 | 3 4 5 7 | 400080 | ZUC1GMS | d9 | 3 4 5 7 |
| 400036 | EUC1DP/2 | c3 | 3 4 5 7 | 400081 | VUC1 | e1 | 3 4 5 7 |
| 400040 | EUC3/2 | c4 | 3 4 5 7 | 400082 | VUC3 | e2 | 3 4 5 7 |
| 400041 | NUC3DD | o | 3 4 5 7 | 400083 | VUC3G | e3 | 3 4 5 7 |
| 400045 | EUC3DP/2 | c5 | 3 4 5 7 | 400085 | VUCA3G | e5 | 3 4 6 7 |
| 400046 | EUC3DD/2 | c6 | 3 4 5 7 | 400086 | VUC1G | e4 | 3 4 5 7 |
| 400049 | ZUC1 | d3 | 3 4 5 7 | 400087 | EUC1O | e7 | 3 4 5 7 |
| 400050 | ZUC1DP | d4 | 3 4 5 7 | 400088 | ZUC3D | f2 | 3 4 5 7 |
| 400053 | ZUC3 | d5 | 3 4 5 7 | 400095 | EUCAGROWM | e8 | 3 4 6 7 |
| 400055 | EUC1 | a | 3 4 5 7 | 400096 | EUCAGROW6M | e9 | 3 4 6 7 |
| 400056 | EUC1DP | c | 3 4 5 7 | 400097 | EUC3DDMCD | e6 | 3 4 5 7 |
| 400059 | EUC3 | b | 3 4 5 7 | 400098 | EUCA3DDMCD | a3 | 3 4 6 7 |
| 400061 | EUC3DP | d | 3 4 5 7 | 400116 | FUCA3DD | v | 3 4 6 7 |
| 400063 | EUC1G | w | 3 4 5 7 | 400120 | NUC1DPP | a8 | 3 4 5 7 |
| 400064 | EUC1DP60 | i | 3 4 5 7 | 400121 | EUC1DDM60 | b9 | 3 4 5 7 |
| 400065 | EUC3DD | e | 3 4 5 7 | 400122 | NUC1DUK | b4 | 3 4 5 7 |
| 400066 | ZUCADDROW | a1 | 3 4 6 7 | 400123 | NUC1DDUK | b5 | 3 4 5 7 |
| 400067 | ZUCADDROW60 | a2 | 3 4 6 7 | 400127 | KUC3 | m | 3 4 5 7 |
| 400068 | EUCADD60 | b1 | 3 4 6 7 | 400128 | KUC3DP | n | 3 4 5 7 |
| 400069 | ZUC3DP | d6 | 3 4 5 7 | 400130 | NUC1DDRUKP | b6 | 3 4 5 7 |
| 400070 | ZUC3DD | d7 | 3 4 5 7 | 400131 | NUCA1GRUK | b7 | 3 4 6 7 |
| 400073 | EUC1G/2 | c7 | 3 4 5 7 | 400132 | NUC3DPP | c1 | 3 4 5 7 |
| 400074 | EUCA1DDG | c8 | 3 4 6 7 | 400133 | NUC1D | b2 | 3 4 5 7 |
| 400075 | EUC1DP60 | d1 | 3 4 5 7 | 400134 | NUC1DD | b3 | 3 4 5 7 |
| 400076 | ZUC1DP60 | d2 | 3 4 5 7 | 400137 | EUCA1DP | a5 | 3 4 6 7 |
| 400077 | EUC1GMS | c9 | 3 4 5 7 | 400138 | NUC1GMS | a6 | 3 4 5 7 |
| 400078 | ZUC1G | d8 | 3 4 5 7 | 400139 | EUC3DPCAG | a7 | 3 4 5 7 |
| 400079 | ZUCA1DDG | f1 | 3 4 5 7 | 400140 | NUC1 | f | 3 4 5 7 |

Pag./Page

3

4

5

6

7

8-16

Marchio/Brand:**Paese/Country:****Indice**

Vista generale

Componenti idraulici

Circuito idraulico a pressione

Circuito idraulico atmosferico

Componenti elettrici

Lista ricambi

Z - A - E

Tutti/All

Index

Main view

Hydraulic components

Pressurized plumbing circuit

Atmospheric plumbing circuit

Electrical components

Spare parts list

Da Ser. Nr./ From Ser.nr.: 839...

Ed. 2019 - 09

Doc. Nr.: 595665K00



LAVASTOVIGLIE SOTTOTAVOLO UNDERCOUNTER DISHWASHER

NUC/EUC/KUC/VUC/NUCA/ZUCA/FUCA/EUCA/VUCA

| Code | Type | Ref. | Pagina/ Page |
|--------|-------------|------|--------------|
| 400141 | NUC1DP | g | 3 4 5 7 |
| 400144 | NUC3 | h | 3 4 5 7 |
| 400146 | NUC3DP | k | 3 4 5 7 |
| 400149 | NUC1DP60 | q | 3 4 5 7 |
| 400150 | NUC1DPA | r | 3 4 5 7 |
| 400151 | ZUCA1 | s | 3 4 6 7 |
| 400152 | ZUCA3 | t | 3 4 6 7 |
| 400153 | EUCADDROW | a3 | 3 4 6 7 |
| 400154 | EUCADDROW60 | a4 | 3 4 6 7 |
| 400155 | NUC1DPDD | b8 | 3 4 5 7 |
| 690028 | NUC1G | x | 3 4 5 7 |
| 698005 | NUCA1DDG | z | 3 4 6 7 |
| 698049 | NUCA1DPDDG | a9 | 3 4 6 7 |



PLATON SERVICE

8 (800) 500-34-41

www.platonservice.com

Pag./Page

3

4

5

6

7

8-16

Marchio/Brand:

Paese/Country:

Indice

Vista generale

Componenti idraulici

Circuito idraulico a pressione

Circuito idraulico atmosferico

Componenti elettrici

Lista ricambi

Z - A - E

Tutti/All

Index

Main view

Hydraulic components

Pressurized plumbing circuit

Atmospheric plumbing circuit

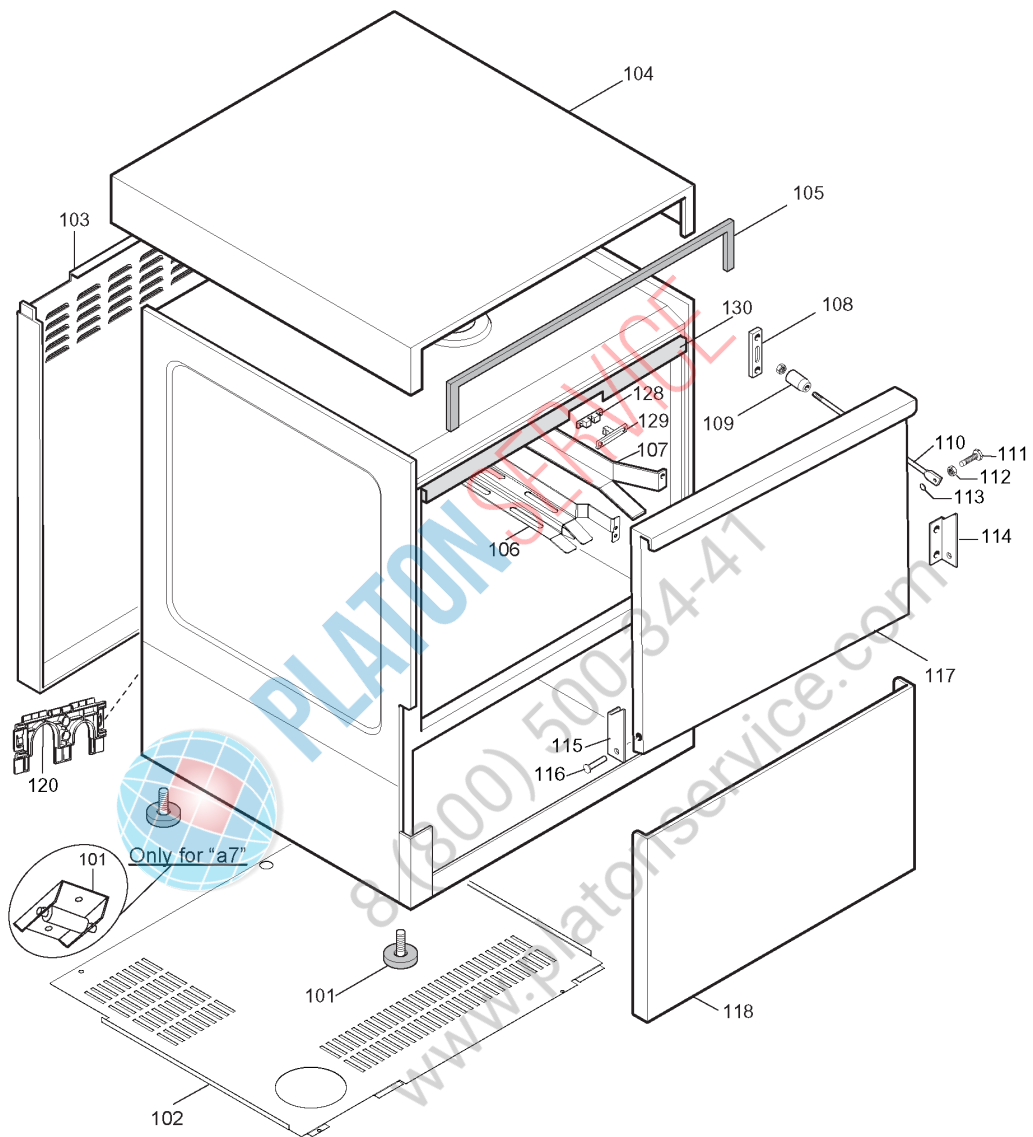
Electrical components

Spare parts list

Da Ser. Nr./ From Ser.nr.: 839...

Ed. 2019 - 09

Doc. Nr.: 595665K00



Vista generale / Main View

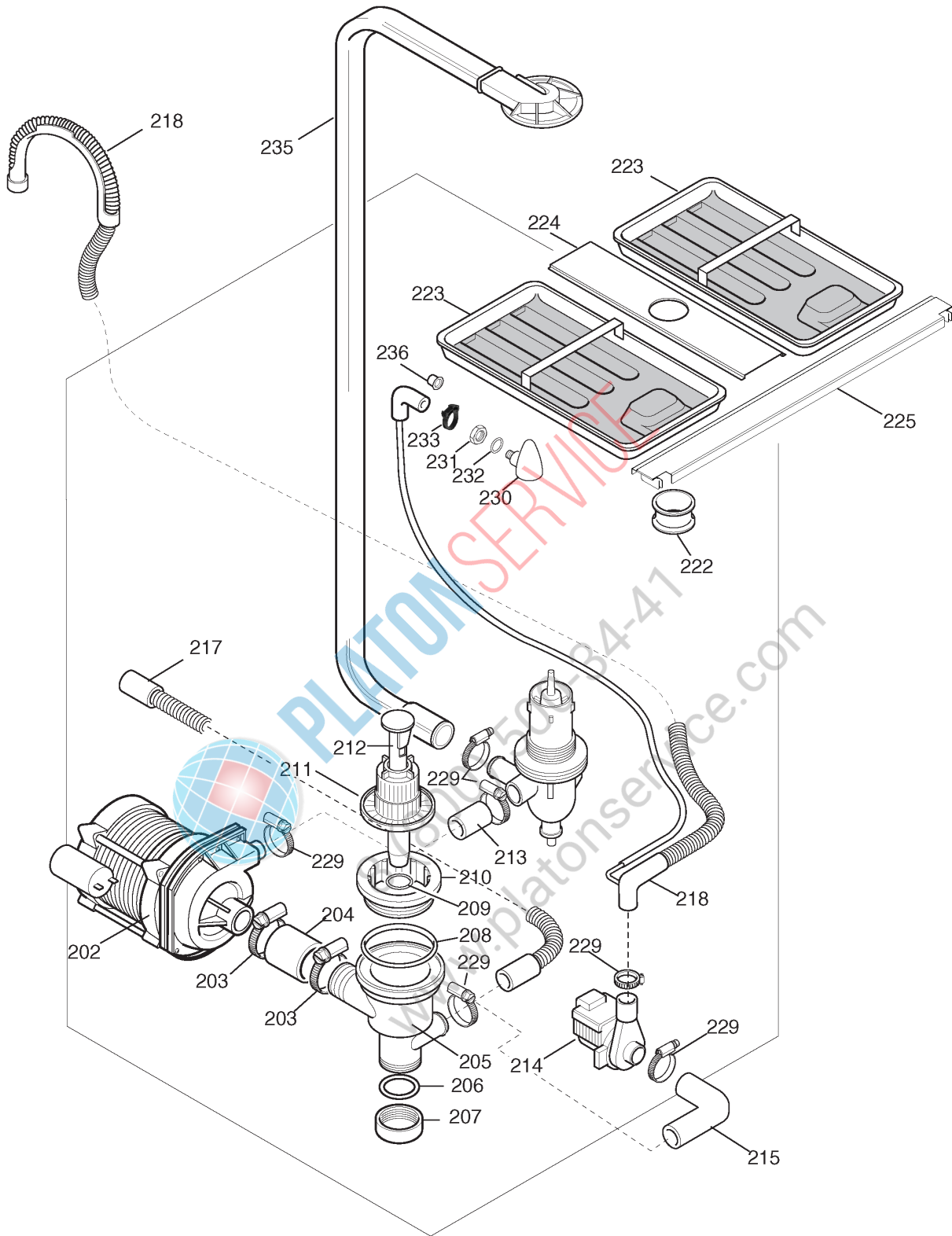
| | | | |
|-----------------------------------|---------|---------------|---------------------|
| Da Ser. Nr./ From Ser.nr.: 839... | Page: 3 | Ed. 2011 - 07 | Doc. Nr.: 595665K00 |
|-----------------------------------|---------|---------------|---------------------|

| ?????? | 400141 | | | | | | | | |
|--------|-----------|------------|-----------|---|---|-----|--|-----------------------------------|--|
| ?????? | 595665K00 | ???????? 3 | Main view | | | | | | |
| . | | Alias | | S | | . | | | (Rub) |
| 0101 | 049393 | | | S | | | | LEVELLING FOOT; Ø=30MM; H=31MM | 128,70 |
| 0102 | 0L2434 | | | | | | | BOTTOM | Up to Ser. Nr.: 048 4 392,00 |
| 0102 | 0TT903 | | | | D | | | BOTTOM; LS5 | Up to Ser. Nr.: 047 |
| 0103 | 0L1888 | | | | | | | BACK PANEL; LS5 STANDARD | c2,c3,c4,o,c5,c6,d3,d4,d5,a,c, b,d,w,i,e,d6,d7,c7,c8,d1,d2,c9 ,d8,f1,d9,e1,e2,e3,e5,e4,e7,f2 ,e8,e9,e6,a3,a8,b9,b4,b5,m,n, b6,c1,b2,b3,a6,a7,f,g,h,k,q,r,b 8.x - Up to Ser. Nr.: 012 7 899,30 |
| 0103 | 0L1889 | | 0L2567 | | | | | BACK PANEL; LS5 | c2,c3,c4,o,c5,c6,d3,d4,d5,a,c, b,d,w,i,e,a1,a2,b1,d6,d7,c7,c8 ,d1,d2,c9,d8,f1,d9,e1,e2,e3,e 5,e4,e7,f2,e8,e9,e6,a3,v,a8,b 9,b4,b5,m,n,b6,c1,b2,b3,a5,a 6,a7,f,g,h,k,q,r,s,t,a3,a4,b8,x - From Ser. Nr.: 013 Up to Ser. Nr.: 029 |
| 0103 | 0L2567 | | | | | | | BACK PANEL | c2,c3,c4,o,c5,c6,d3,d4,d5,a,c, b,d,w,i,e,a1,a2,b1,d6,d7,c7,c8 ,d1,d2,c9,d8,f1,d9,e1,e2,e3,e 5,e4,e7,f2,e8,e9,e6,a3,v,a8,b 9,b4,b5,m,n,b6,c1,b2,b3,a5,a 6,a7,f,g,h,k,q,r,s,t,a3,a4,b8,x - From Ser. Nr.: 030 9 351,90 |
| 0104 | 0L0122 | | | | | | | COVER; ASSY | Up to Ser. Nr.: 012 16 581,6 0 |
| 0104 | 0L0257 | | | | | | | COVER | From Ser. Nr.: 013 14 886,0 0 |
| 0105 | 046583 | | | S | | Kit | | GASKET; 1PZ=5MT | 879,30 |
| 0107 | 049272 | | | | | | | SUPPORT | c2,c3,c4,o,c5,c6,d3,d4,d5,a,c, b,d,w,i,e,a1,a2,b1,d6,d7,c7,c8 ,d1,d2,d8,f1,e1,e2,e3,e5,e4,e 7,f2,e8,e9,e6,a3,v,a8,b9,b4,b 5,m,n,b6,b7,c1,b2,b3,a5,a7,f, g,h,k,q,s,t,a4,b8,x,z,a9 - Up to Ser. Nr.: 012 5 875,20 |
| 0107 | 049273 | | | | | | | SUPPORT | c2,c3,c4,o,c5,c6,d3,d4,d5,a,c, b,d,w,i,e,a1,a2,b1,d6,d7,c7,c8 ,d1,d2,d8,f1,e1,e2,e3,e5,e4,e 7,f2,e8,e9,e6,a3,v,a8,b9,b4,b 5,m,n,b6,b7,c1,b2,b3,a5,a7,f, g,h,k,q,s,t,a4,b8,x,z,a9 - Up to Ser. Nr.: 012 3 069,90 |
| 0107 | 0L2252 | | | | | | | BASKET SUPPORT; LEFT | c2,c3,c4,o,c5,c6,d3,d4,d5,a,c, b,d,w,i,e,a1,a2,b1,d6,d7,c7,c8 ,d1,d2,d8,f1,e1,e2,e3,e5,e4,e 7,f2,e8,e9,e6,a3,v,a8,b9,b4,b 5,m,n,b6,b7,c1,b2,b3,a5,a7,f, g,h,k,q,s,t,a4,b8,x,z,a9 - From Ser. Nr.: 013 1 925,10 |
| 0107 | 0L2254 | | | | | | | BASKET SUPPORT; RIGHT | c2,c3,c4,o,c5,c6,d3,d4,d5,a,c, b,d,w,i,e,a1,a2,b1,d6,d7,c7,c8 ,d1,d2,d8,f1,e1,e2,e3,e5,e4,e 7,f2,e8,e9,e6,a3,v,a8,b9,b4,b 5,m,n,b6,b7,c1,b2,b3,a5,a7,f, g,h,k,q,s,t,a4,b8,x,z,a9 - From Ser. Nr.: 013 1 925,10 |
| 0108 | 049285 | | | S | | | | PLAQUE | 195,30 |
| 0109 | 049286 | | | S | | | | SHOCK ABSORBER | 171,00 |
| 0110 | 049282 | | | S | | | | TIE ROD | 1 672,20 |
| 0111 | 049283 | | | S | | | | PIN; FOR DOOR TIE ROD | 652,50 |
| 0112 | 049372 | | | S | | | | NUT | 102,60 |
| 0113 | 049284 | | | S | | + | | RING | 102,60 |

| ?????? | 400141 | | | | | | | | | |
|--------|-----------|--------|------------|---|---|--|-----------|------------------|---------------------|-----------|
| ?????? | 595665K00 | | ???????? 3 | | | | Main view | | | |
| . | | Alias | | S | | | . | | | (Rub) |
| 0114 | 049279 | | | S | | | | HINGE | Up to Ser. Nr.: 012 | 2 084,40 |
| 0114 | 0L2253 | | | S | | | | RIGHT HINGE | From Ser. Nr.: 013 | 697,50 |
| 0115 | 049280 | | | S | | | | HINGE | Up to Ser. Nr.: 012 | 1 957,50 |
| 0115 | 0L2251 | | | S | | | | LEFT HINGE | From Ser. Nr.: 013 | 697,50 |
| 0116 | 049281 | | | S | | | | PIN | Up to Ser. Nr.: 012 | 1 784,70 |
| 0116 | 0L2255 | | | S | | | | HINGE PIN | From Ser. Nr.: 013 | 412,20 |
| 0117 | 049951 | | 0L2068 | | D | | | DOOR | Up to Ser. Nr.: 920 | |
| 0117 | 0L2068 | | | S | | | | DOOR; ASSY | From Ser. Nr.: 921 | 22 167,90 |
| 0118 | 0L1649 | 0L1649 | 0L2568 | | | | | FRONT PANEL; LS5 | Up to Ser. Nr.: 029 | |
| 0118 | 0L2568 | 0L2568 | | S | | | | FRONT PANEL | From Ser. Nr.: 030 | 5 798,70 |
| 0120 | 0L0112 | | | | | | | COVERING | | 412,20 |
| 0128 | 049271 | | | S | | | | LATCH | | 5 508,90 |
| 0129 | 049536 | | | S | | | | CATCH | | 2 516,40 |
| 0130 | 0L0021 | | | S | | | | GASKET; L=592MM | | 502,20 |



PLATON SERVICE
 8 (800) 500-34-47
 www.platonservice.com



Componenti idraulici / Hydraulic components

| | | | |
|----------------------------|---------------|---------|-----------------------------------|
| Doc. Nr.: 595665K00 | Ed. 2014 - 12 | Page: 4 | Da Ser. Nr./ From Ser.nr.: 839... |
|----------------------------|---------------|---------|-----------------------------------|

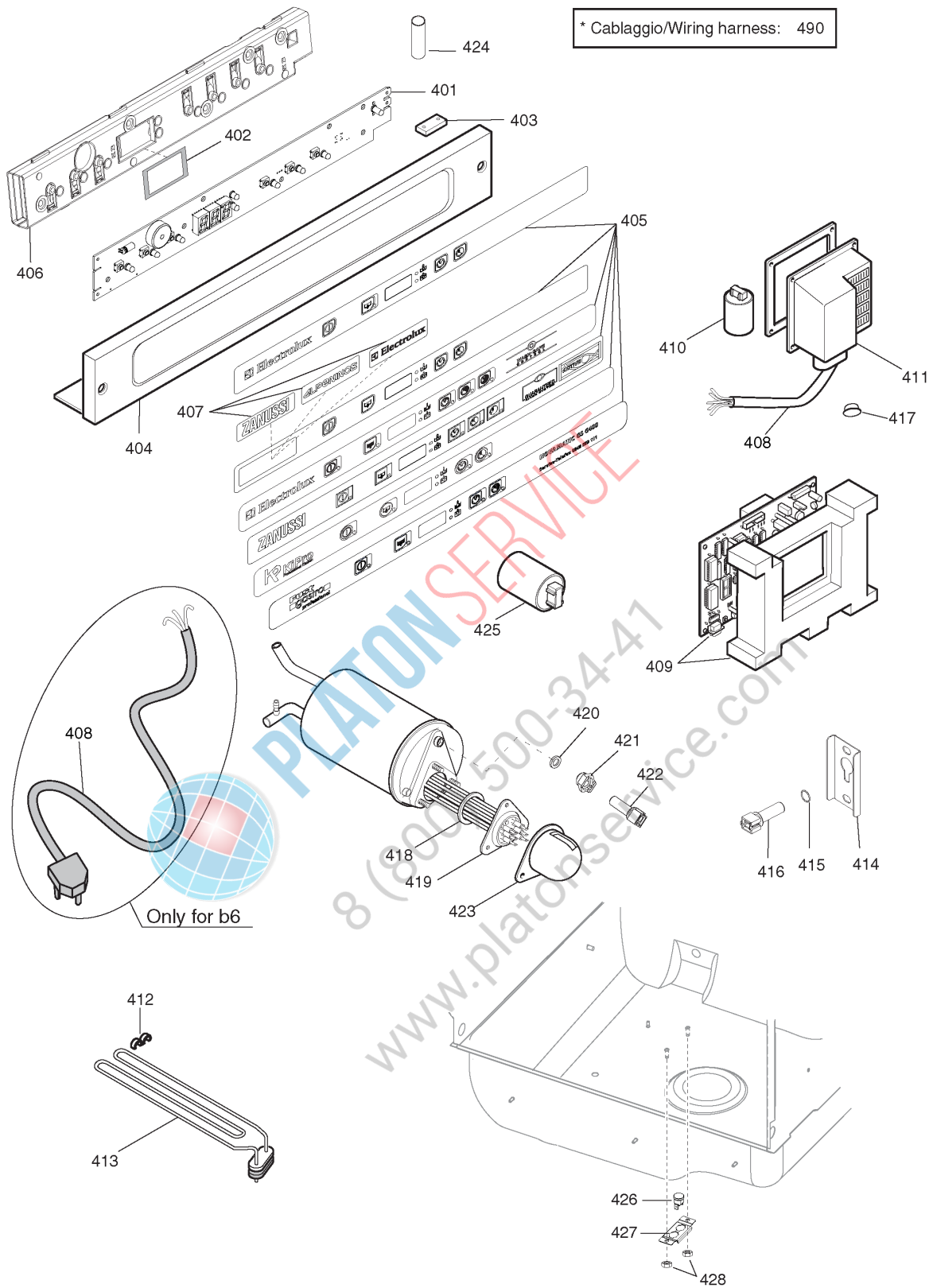
| ?????? | 400141 | | | | | | | | | | | |
|--------|-----------|------------|----------------------|---|---|---|---|-----------|--|--|-------|--|
| ?????? | 595665K00 | ???????? 4 | Hydraulic components | | | | | | | | | |
| . | Alias | | S | | | . | | | | | (Rub) | |
| 0202 | 0L0126 | | S | A | | WASH PUMP; ZF340SX; 230V 1PH; 50HZ | c2,c3,c4,o,c5,c6,d3,d4,d5,a,c,b,d,w,e,a1,d6,d7,c7,c8,d1,d2,c9,d8,f1,d9,e1,e2,e3,e5,e4,e7,f2,e8,e9,e6,a3,v,a8,b9,b4,b5,m,n,b6,b7,c1,b2,b3,a5,a6,a7,f,g,h,k,r,s,t,a3,b8,x,z,a9 - 50Hz | 21 838,50 | | | | |
| 0203 | 0L0193 | | S | | | CLMAP; 40-60/9 | | 198,90 | | | | |
| 0204 | 0L1374 | | S | | | PUMP SUCTION PIPE; LS5 LS6 | | 792,90 | | | | |
| 0205 | 048325 | 0L1629 | | | + | DRAIN MANIFOLD | | | | | | |
| 0206 | 049828 | | S | | + | O-RING; ØI=50MM; ØE=59,5MM | | 163,80 | | | | |
| 0207 | 046596 | | S | | + | PLUG; FOR MANIFOLD | | 279,90 | | | | |
| 0208 | 049894 | | S | | + | O-RING; ØI=110X4 MM | | 202,50 | | | | |
| 0209 | 046799 | | S | | + | O-RING; FOR OVERFLOW PIPE | | 102,60 | | | | |
| 0210 | 048326 | | S | | + | RING NUT; FOR MANIFOLD | | 620,10 | | | | |
| 0211 | 048324 | | S | | + | PUMP SUCTION FILTER | | 1 087,20 | | | | |
| 0212 | 048842 | | S | | + | OVERFLOW PIPE | c,d,e,g,n,o,k,r,i,q,w,x,v,z,a1,a2,a3,a4,a5,a6,a7,a8,a9,b1,b3,b5,b6,b7,b8,c1,c3,c5,c6,c7,c8,c9,d1,d2,d4,d6,d7,d8,d9,e1,e3,e4,e5,e6,e8,e9 | 840,60 | | | | |
| 0213 | 0L0259 | | S | | | JUNCTION | | 433,80 | | | | |
| 0214 | 0L0994 | 0L0692 | A | | + | CGX201 2-02 DRAIN PUMP; 220V 50 HZ; ASKOLL TIPO SC | c,d,e,g,n,o,k,r,w,x,v,z,a1,a3,a5,a6,a7,a8,a9,b3,b5,b6,b7,b8 - Up to Ser. Nr.: 144 - 50hz | | | | | |
| 0214 | 0L2133 | 0L2657 | A | | + | CGX201 2-02 DRAIN PUMP; TYPE DPO25 200/240V 50/60HZ | c,d,e,g,n,o,k,r,w,x,v,z,a1,a3,a5,a6,a7,a8,a9,b3,b5,b6,b7,b8,c1,c3,c5,c6,c7,c8,c9,d4,d6,d7,d8,d9,e3,e4,e5,e6,e8 - From Ser. Nr.: 145 - 50hz | | | | | |
| 0215 | 049877 | | S | | | SLEEVE | c,d,e,f,g,k,i,n,o,q,r,w,v,x,z,a1,a2,a3,a4,a5,a6,a7,a8,a9,b1,b2,b3,b4,b5,b6,b7,b8,c1,c2,c3,c5,c6,c7,c8,c9,d1,d2,d3,d4,d6,d7,d8,d9,e1,e3,e4,e5,e6,e7,e8,e9 | 1 197,90 | | | | |
| 0218 | 049878 | | S | | | HOSE | c,d,e,g,n,o,k,i,q,r,w,x,v,z,a1,a2,a3,a4,a5,a6,a7,a8,a9,b1,b3,b5,b6,b7,b8,c1,c3,c5,c6,c7,c8,c9,d1,d2,d4,d6,d7,d8,d9,e3,e4,e5,e6,e8,e9 | 1 845,00 | | | | |
| 0229 | 046878 | | S | | + | HOSE CLAMP; 35-50/9 | | 193,50 | | | | |
| 0230 | 048853 | | S | | + | AIR CHAMBER | | 409,50 | | | | |
| 0231 | 049268 | | S | | + | HEX NUT; M14X1,5 | | 181,80 | | | | |
| 0232 | 068642 | | S | | + | O-RING; ØI=15,54X2,62 | | 102,60 | | | | |
| 0233 | 046946 | | S | | + | CLAMP; 8-12/7,5 | Up to Ser: 2014-49 | 224,10 | | | | |
| 0233 | 0L3522 | | | | | PLASTIC CLAMP WITH RATCHET | Up to Ser: 2014-50 | 242,10 | | | | |
| 0235 | 0L0125 | | S | | | SUPPORTING TUBE FOR UPPER JETS | | 3 527,10 | | | | |
| 0236 | 049849 | | S | | | STOPPER | | 102,60 | | | | |

| ?????? | 400141 | | | | | | | | |
|--------|-----------|------------|------------------------------|---|---|----------------|--|---|---------------------------------|
| ?????? | 595665K00 | ???????? 5 | Pressurized plumbing circuit | | | | | | |
| . | | Alias | | S | | . | | | (Rub) |
| 0301 | 048834 | | | S | | | | STRAINER | 1 393,20 |
| 0302 | 0L1945 | | | S | | Kit | | GASKET; SET 50PCS; DIA.26,5MM | 1 656,90 |
| 0304 | 0L1887 | | | S | | | | FEEDING HOSE; 2000MM | 1 382,40 |
| 0305 | 048817 | | 0L3440 | | | | | SOLENOID VALVE; 220-240V 50HZ; 319P5 | |
| 0306 | 048126 | | | S | | + | | CLIP; 13-20 | 160,20 |
| 0307 | 048531 | | | S | | + | | RUBBER HOSE; ØI=12MM;ØE=19,5MM;BY METER | 928,80 |
| 0309 | 0L1892 | | | S | | + | | NONRETURN VALVE; HIGH TEMPERATURE | 1 761,30 |
| 0310 | 0L0352 | | | S | A | | | BOILER | From Ser. Nr.: 921 18 576,90 |
| 0310 | 0L1890 | | 0L0352 | | | | | BOILER; LS5 | Up to Ser. Nr.: 920 |
| 0312 | 048195 | | | S | | | | 3-WAY FITTING; 2XØ=12MM E 1XØ=8,6MM | 653,40 |
| 0313 | 049290 | | | S | | | | SUPPORT | 5 403,60 |
| 0314 | 048236 | | | S | | + | | GASKET | 372,60 |
| 0315 | 048330 | | | S | | + | | RING NUT | 534,60 |
| 0316 | 048820 | | | S | | + | | SHUTTER | 474,30 |
| 0317 | 048979 | | | S | | + | | SNAP RING | 143,10 |
| 0318 | 046878 | | | S | | + | | HOSE CLAMP; 35-50/9 | 193,50 |
| 0319 | 0L0125 | | | S | | | | SUPPORTING TUBE FOR UPPER JETS | 3 527,10 |
| 0320 | 0L0110 | | | S | | | | GASKET; ØI=88MM; ØE=120MM; H=1MM | 855,90 |
| 0321 | 048824 | | | S | | | | RING NUT | 351,90 |
| 0322 | 047473 | | | S | | + | | O-RING; ØI=14MM; ØE= 17,56MM | 102,60 |
| 0323 | 049292 | | | S | | | | PIN | 2 064,60 |
| 0324 | 049293 | | | S | | + | | HUB; FOR WASH ARMS | 2 061,00 |
| 0325 | 047282 | | | S | | + | | WASHER | 822,60 |
| 0326 | 049294 | | | S | | + | | WASHER PROTECTION | 366,30 |
| 0327 | 049295 | | | S | | + | | WASHING JET | 1 381,50 |
| 0328 | 049296 | | | S | A | + | | CAP; FOR WASH ARM | 248,40 |
| 0329 | 049297 | | | S | | + | | RINSE JET | 1 219,50 |
| 0330 | 049298 | | | S | | + | | RINSE JET | 1 219,50 |
| 0331 | 049299 | | | S | | + | | CAP; RINSE ARM | 409,50 |
| 0336 | 048883 | | | | | | | RUBBER HOSE; 5X12; 1PZ=2300MM | 1 232,10 |
| 0337 | 046946 | | | S | | + | | CLAMP; 8-12/7,5 | 224,10 |
| 0339 | 049881 | | | | | CGX200 4-07 | | PRESSURE SWITCH;TYPE 760;CALIB.=60/20-11 | 1 903,50 |
| 0340 | 048308 | | | S | | + | | AIR TRAP; FOR PRESSURE GAUGE | 452,70 |
| 0341 | 049904 | | | | | CGX200 8-16 | | PRESSURE SWITCH HOSE; L=60CM | 528,30 |
| 0342 | 068642 | | | S | | + | | O-RING; ØI=15,54X2,62 | 102,60 |

| ?????? | 400141 | | | | | | | | | |
|--------|-----------|------------|--------|---|---|---|------------------------------|---------------------------|--|-----------|
| ?????? | 595665K00 | ???????? 5 | | | | | Pressurized plumbing circuit | | | |
| . | | Alias | | S | | | . | | (Rub) | |
| 0343 | 049268 | | | S | | + | | HEX NUT; M14X1,5 | 181,80 | |
| 0344 | 0L3182 | | 0L4295 | | | | | RINSE AID DISPENSER | f,g,h,k,m,n,o,q,x,a6,a7,a8,b2,b4,b5,b6,c1,c2,c3,c4,c5,c6,c7,c9,d1,d2,d3,d4,d5,d6,d7,d8,d9, e6,e7,f2 - From Ser. nr. 348 up to 7401 | |
| 0344 | 0L4295 | | | S | | | | RINSE AID DISPENSER | f,g,h,k,m,n,o,q,x,a7,a8,b6,b8,b9,c1,c2,c3,c4,c5,c6,c7,c9,d1,d2,d3,d4,d5,d6, d7,d8,d9,e1,e2,e3,e4,e6,e7,f2 - From Ser. nr. 7411 | 6 741,90 |
| 0345 | 0L2394 | | | | | | | FEEDER HOSE | Rinse booster pump kit | 2 632,50 |
| 0346 | 0L2389 | | | | | | | FEEDER HOSE | Rinse booster pump kit | 2 785,50 |
| 0347 | 0L2391 | | | S | A | | | RINSE PUMP; PS45 | Rinse booster pump kit | 21 726,90 |
| 0348 | 049126 | | | | A | | | CAPACITOR; 8MF | 8 µF - Rinse booster pump kit | 1 575,00 |
| 0349 | 0L2392 | | | | D | | | EL. CABLE; FOR GROUND | Rinse booster pump kit | 334,80 |
| 0350 | 0L2390 | | | | | | | RINSE PUMP; ASSY | (pos. 347 + pos. 349 + pos. 350) Rinse booster pump kit | 23 754,60 |
| 0350 | 0L2393 | | | | | | | RUBBER HOLDER; 3/8"; MALE | Rinse booster pump kit | 1 696,50 |
| 0357 | 047986 | | 0Q0014 | | | + | | GASKET | | |



PLATON SERVICE
 8 (800) 500-34-41
 www.platonservice.com



Componenti elettrici / Electrical components

| | | | |
|-----------------------------------|---------|---------------|---------------------|
| Da Ser. Nr./ From Ser.nr.: 839... | Page: 7 | Ed. 2017 - 07 | Doc. Nr.: 595665K00 |
|-----------------------------------|---------|---------------|---------------------|

| ?????? | 400141 | | | | | | | | | |
|--------|-----------|------------|-----------------------|---|---|-----|---|------------------------------------|---|-----------|
| ?????? | 595665K00 | ???????? 7 | Electrical components | | | | | | | |
| . | | Alias | | S | | | . | | | (Rub) |
| 0401 | 0L3875 | | 0L4473 | S | A | | | USER INTERFACE BOARD | Up to Ser. Nr.: 2019/10 | 10 696,50 |
| 0401 | 0L4473 | | | S | | | | USER INTERFACE BOARD; UC/FL/GW-ELT | From Ser. Nr. : 2019/11 | 11 700,00 |
| 0402 | 0L1943 | | | S | | | | GASKET | | 100,80 |
| 0403 | 0L1871 | | | S | A | Kit | | REED SWITCHCT; KIT | | 2 003,40 |
| 0404 | 0L1667 | | | | | | | CONTROL PANEL | c2,c3,c4,o,c5,c6,d3,d4,d5,a,c,b,d,w,i,e,d6,d7,c7,c8,d1,d2,c9,d8,f1,d9,e1,e2,e3,e5,e4,e7,f2,e6,a3,v,a8,b9,b4,b5,m,n,b6,b7,c1,b2,b3,a6,a7,f,g,h,k,q,r,b8,x,z,a9 | 4 577,40 |
| 0405 | 0L1663 | | | S | | | | ADHESIVE MEMBRANE; LS5 | f,g,h,o,k,q,r,x,z,a6,a8,a9,b2,b3,b4,b5,b7,c1b6,b7,b8 - up to 7431 | 1 741,50 |
| 0406 | 0L1567 | | | | D | | | COVERING; LS5-6 | | 1 221,30 |
| 0407 | 000000 | 54864AK00 | | | | | | | | |
| 0407 | 0L1664 | | | | D | | | ADHESIVE NAME PLATE; LS5/LS6 | | |
| 0407 | 0L1665 | | | | | | | ADHESIVE; LS5/LS6 | | |
| 0408 | 0L2055 | | | | D | | | SUPPLY CABLE; 3X2.5 L=1600 | a,c,f,g,i,q,w,x,a6,a8,b2,b3,b4,b5,b6,b8,c2,c3,c7,c9,d1,d2,d3,d4,d8,e1,e4,e7 | 2 144,70 |
| 0409 | 0L2582 | | | S | A | | | PCB; DIWAP10; 50/60HZ | f,g,h,k,m,n,o,q,x,a6,a7,a8,b2,b3,b4,b5,b6,b8,b9,c1,c2,c3,c4,c5,c6,c7,c9,d1,d2,d3,d4,d5,d6,d7,d8,d9,e1,e2,e3,e4,e6,e7,f2 | 20 529,00 |
| 0410 | 049977 | | 092257 | | | | | FILTER | a,c,f,g,i,q,s,w,x,a5,a6,a8,b2,b3,b4,b5,b6,b8,c2,c3,d3,d4 - Up to Ser. Nr.: 235 | |
| 0411 | 0L0127 | | | S | | | | JUNCTION BOX | a,c,f,g,i,q,r,w,x,s,a5,a6,a8,b2,b3,b4,b5,b6,b8,c2,c3,c7,c9,d1,d2,d3,d4,d8,e1,e4,e7 | 3 222,00 |
| 0412 | 048429 | | | S | | | | BRACKET | | 205,20 |
| 0413 | 049954 | | 0L2109 | | | | | TANK HEATING ELEMENT | Up to Ser. Nr.: 946 | |
| 0413 | 0L2109 | | | S | A | | | TANK HEATING ELEMENT; 230V-2000W | c2,c3,c4,o,c5,c6,d3,d4,d5,a,c,b,d,w,i,e,d6,d7,c7,c8,d1,d2,c9,d8,f1,d9,e1,e2,e3,e5,e4,e7,f2,e6,a3,v,a8,b9,b4,b5,m,n,b6,b7,c1,b2,b3,a5,a6,a7,f,g,h,k,q,r,s,t,b8,x,z,a9 - From Ser. Nr.: 947 | 3 239,10 |
| 0414 | 0L0366 | | | S | | | | SUPPORT | | 344,70 |
| 0415 | 0L2303 | | | S | | + | | O-RING; DIA.9,25X1,78 | | 100,80 |
| 0416 | 049643 | | | S | | + | | TEMPERATURE PROBE | | 968,40 |
| 0418 | 0L2765 | | | S | | + | | O-RING; 5,34X47,00MM; SILICON | | 190,80 |
| 0419 | 049980 | | | S | A | | | HEATING ELEMENT; 230V 2800W | a,c,f,g,i,q,r,s,a5,a8,b2,b3,b5,b6,b8,c2,c3d1,d2,d3,d4,d9,e1,e7 | 4 812,30 |
| 0420 | 0L2303 | | | S | | + | | O-RING; DIA.9,25X1,78 | | 100,80 |
| 0421 | 0L0280 | | | S | A | + | | STUFFING BOX | | 1 152,00 |
| 0422 | 049643 | | | S | | + | | TEMPERATURE PROBE | | 968,40 |
| 0423 | 065560 | | | S | | + | | CAP; FOR BOILER HEATING ELEMENT | | 177,30 |
| 0424 | 000000 | | | | | | | | | |

| ?????? | 400141 | | | | | | | | |
|--------|-----------|------------|-----------------------|---|--|---|---|---|-----------|
| ?????? | 595665K00 | ???????? 7 | Electrical components | | | | | | |
| . | | Alias | | S | | | . | | (Rub) |
| 0426 | 0L2895 | | | S | | | | SAFETY THERMOSTAT; 105°C | 800,10 |
| 0427 | 0L2894 | | | | | | | BRACKET | 538,20 |
| 0428 | 0C8219 | | | S | | + | | NUT | 100,80 |
| 0490 | 0L2485 | | | S | | | | WIRING HARNESS | 15 452,10 |
| | | | | | | | | a,c,f,g,i,q,r,w,x,s,a5,a6,a8,b2,b3,b4,b5, b6,b8,c2,c3,c7,c9,d1,d2,d3,d4,d8.e1,e4,e7 | |



PLATON SERVICE

8 (800) 500-34-41

www.platonservice.com